

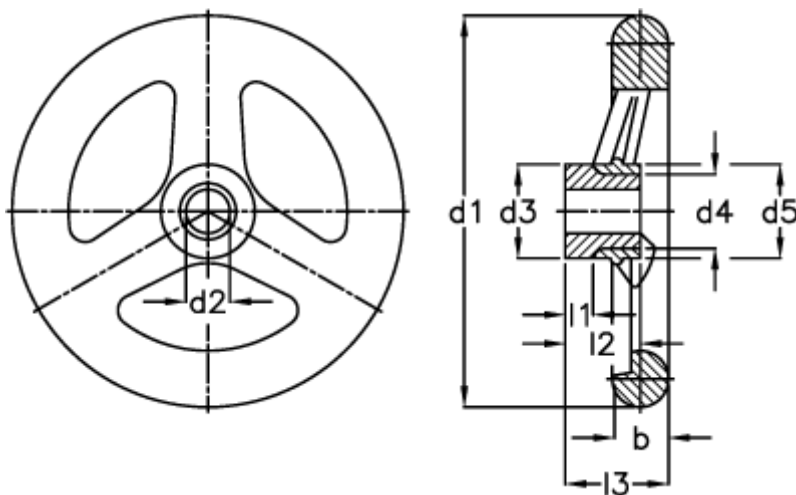
Data Sheet



Article number: 20330307

Description: E+G Handwheel
GN 555-140-K16-A

Measures



b	= 20	$l2 - 0.5$	= 26
$d1$	= 140	$l3$	= 35
$d2$ H7	= 16	Number of spokes	= 3
$d2$ H7	= 14		
$d3$	= 32		
$d4$	= 24		
$d5$	= 38		
$l1 - 0.5$	= 3		